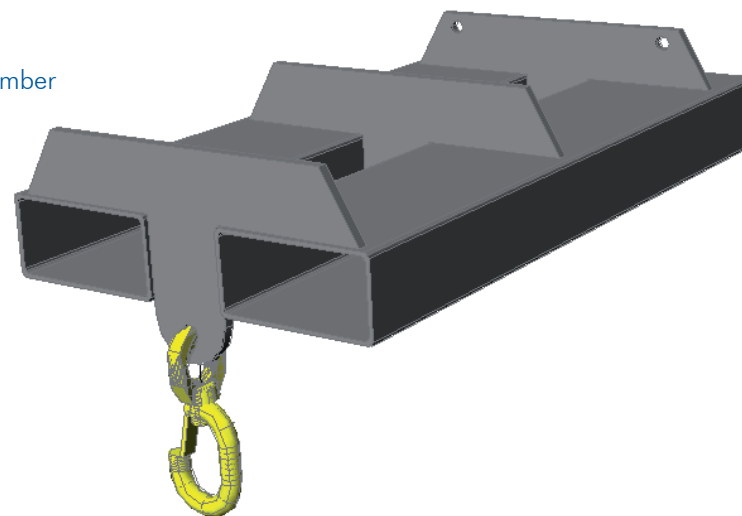


SPECIFICATIONS

- Size: 910mmL x 500mmW x 225mmH
- WLL: 1000kg at 900mm
- Weight: 52kg
- HCoG: 560mm
- Finish: hot dip galvanised
- Tyne Pocket Centres: 300mm
- Tyne Pockets: 190mm x 65mm
- Complies with AS2359
- With compliance plate and serial number

Bremco's BMP016 Forklift Economy Jib is an inexpensive way to convert your standard forklift into a small crane and is a great way to transport heavy, awkward items around your workshop or yard.

Bremco's Economy Jib is a fully certified lifting device and comes standard with a compliance plate attached.



SPECIFICATIONS SUBJECT TO CHANGE WITHOUT NOTICE

In some cases, please allow up to 6 weeks manufacturing time.



Bremco Metal Products Pty Ltd

37 - 43 MacBarry Place Rocklea 4106
Ph: 1300 273 626 Fax: 07 3216 7909

Product
BMP016
Forklift Economy Jib

Drawing
BMP016-SALES

Drawn by CF	Checked by BM	File SPECS
Drawing Number 016/10	Revision A	Scale NTS
		Date 04/12