

OPERATION

- 1) Remove the turf cutter from its trailer/carrier. Use caution. 
- 2) Familiarize yourself with the machine and its controls.

- 3) Before starting the engine, ensure cutting blade is in the raised position.
- 4) Before starting the engine, ensure both clutch handles are forward and disengaged.

- 5) Open fuel shut-off valve. Set choke control to Choke or Start position. Set throttle control to Run or Fast position. Set engine stop switch to On or Run position. Pull starter cord rapidly. Repeat (if necessary) with choke off. 

- 6) After starting the engine, engage the self-propelled clutch and move the machine to the desired cutting area.

- 7) When the operator is ready to start cutting turf, lower the cutting blade to the desired depth by moving the depth control handle down.

- 8) Adjust the throttle lever to achieve desired motor speed according to the conditions.



WARNING! – KEEP HANDS AND FEET CLEAR OF CUTTING BLADE AT ALL TIMES!

- 9) To start the cutting blade pull the cutting clutch toward the operator.

- 10) Engage the self-propelled clutch.




WARNING! – IN CASE OF DIFFICULTY, DISENGAGE THE CLUTCH LEVERS. ALL ACTION STOPS. Press the engine "STOP" button located on the engine.

- 11) When finished cutting turf, reverse the procedure:

- a. Reduce throttle speed
- b. Disengage self-propelled clutch
- c. Disengage cutting blade clutch – push forward
- d. Raise the cutting blade
- e. Engage the self-propelled clutch lever and return to the trailer/carrier. Use Caution. 

- 12) Stop Engine: Move throttle to Slow position. Set engine stop switch to Stop or Off position. DO NOT move choke control to Choke or Start position to stop engine. Backfire or engine damage may occur. 

AFTER USE

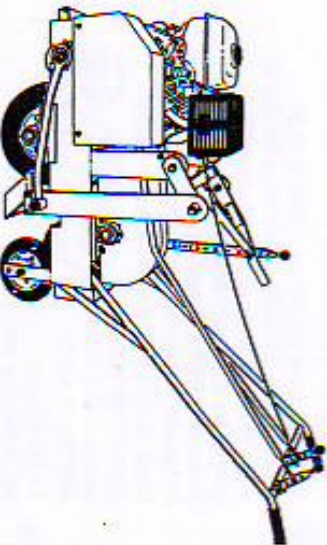
- 1) Turn fuel shut off valve to the "OFF" position. 
- 2) Allow machine to cool down.
- 3) Wash mud and dirt off of the turf cutter. Ensure no water enters the carburetor.
- 4) Remove any weeds, wire, rope or other material that may have wrapped around the cutting assembly.



© Copyright 2003, Hied Hoe Sales & Service Company, Inc. 1301-0001

REDROO™

SAFETY PRECAUTIONS AND OPERATING INSTRUCTIONS



TC400 TURF CUTTER

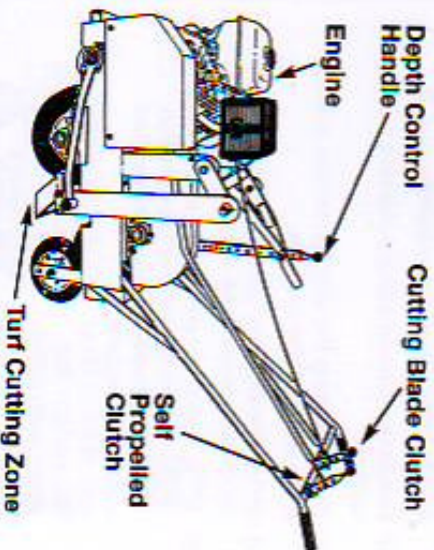
REDROO.com
Commercial Outdoor Power Equipment

SAFETY PRECAUTIONS FOR TC400 USERS

USE COMMON SENSE AND PLENTY OF IT

- 1)  DO NOT allow any person to operate the turf cutter without first reading and understanding the safety precautions and operating instructions. **KNOW THE CONTROLS AND HOW TO STOP THE TURF CUTTER QUICKLY IN AN EMERGENCY.**
- 2) NEVER allow children to operate the turf cutter.
- 3) ALWAYS wear protective clothing when operating the turf cutter. This includes, but is not limited to: safety glasses, loose fitting gloves, steel capped boots and hearing protection. NEVER wear loose fitting clothing or jewelry, when operating the turf cutter. Keep all clothing away from moving parts. Items could become caught in the machine, resulting in injury.   
- 4) ALWAYS operate the turf cutter in a well lit area.
- 5) ALWAYS make certain that both control clutches are in the "disengaged" position prior to starting the engine.
- 6)  ALWAYS operate turf cutter on level ground only. Police the area before turf cutting.  Remove any foreign objects in the digging area eg bricks, rocks, wire and sticks. Locate and mark any sprinkler heads, water pipes, gas lines, electrical and telephone cables or any other hazard either below or above ground.
- 7)  DO NOT allow other persons near the turf cutter. It is up to the operator to keep bystanders and animals a minimum of 6 metres away from the machine while in operation.
- 8) NEVER operate the turf cutter when fatigued. ALWAYS BE ALERT! If you get tired while operating the turf cutter, take a break. If you have any type of physical or mental condition that may be aggravated by strenuous work, consult with your physician before you operate this equipment. NEVER operate the turf cutter under the influence of medication, alcohol or drugs.
- 9)  ALWAYS KEEP YOUR HANDS, FEET AND BODY AWAY FROM THE TURF CUTTING ZONE WHILE ENGINE IS RUNNING.
- 10) NEVER operate the unit without the safety guards in place and in working order. Keep the unit well maintained and in good working order.
- 11) DO NOT leave the machine unattended while the engine is running.
- 12) DO NOT overspeed the engine or alter the governor settings. Excessive speed is dangerous and will shorten engine life.
- 13)  NEVER operate the turf cutter in an enclosed area. Engine exhaust contains carbon monoxide, an odourless and tasteless poison.
- 14)  STOP the engine and disconnect the spark plug lead(s) and allow engine to cool before inspecting or performing maintenance on the turf cutter.
- 15)  **REFUELLING**
Shut off engine. DO NOT REFUEL AN ENGINE WHILE OPERATING!
Allow engine to cool. Minimum 5 minutes.
USE UNLEADED FUEL ONLY.
Use clean, fresh unleaded fuel.
Do not mix oil with unleaded fuel.
Do not over-fill fuel tank. Allow space for fuel expansion.
Do not smoke.
Allow no naked flame or hot material in refuelling area.
Use only approved fuel containers and funnels. Remember, fuel is a potential hazard.

"STAY ALERT - DON'T GET HURT"



OPERATING INSTRUCTIONS

BEFORE USE

- 1) If the turf cutter is to be used in clay or hard ground conditions, it is recommended to water the area thoroughly and allow sufficient time for the soil to soften.
- 2)  Police the area. Remove any foreign objects from the area.
- 3)  Identify and mark the location of sprinkler heads, gas pipes, telephone cables, etc.

safety
EXTREMELY IMPORTANT
...NOW

You alone know the operational demands and special conditions affecting the equipment in your situation and therefore assume the responsibility for knowing, carrying out, and enforcing the safety concepts which apply to your own operation to afford the greatest safety for yourself and the people around you.